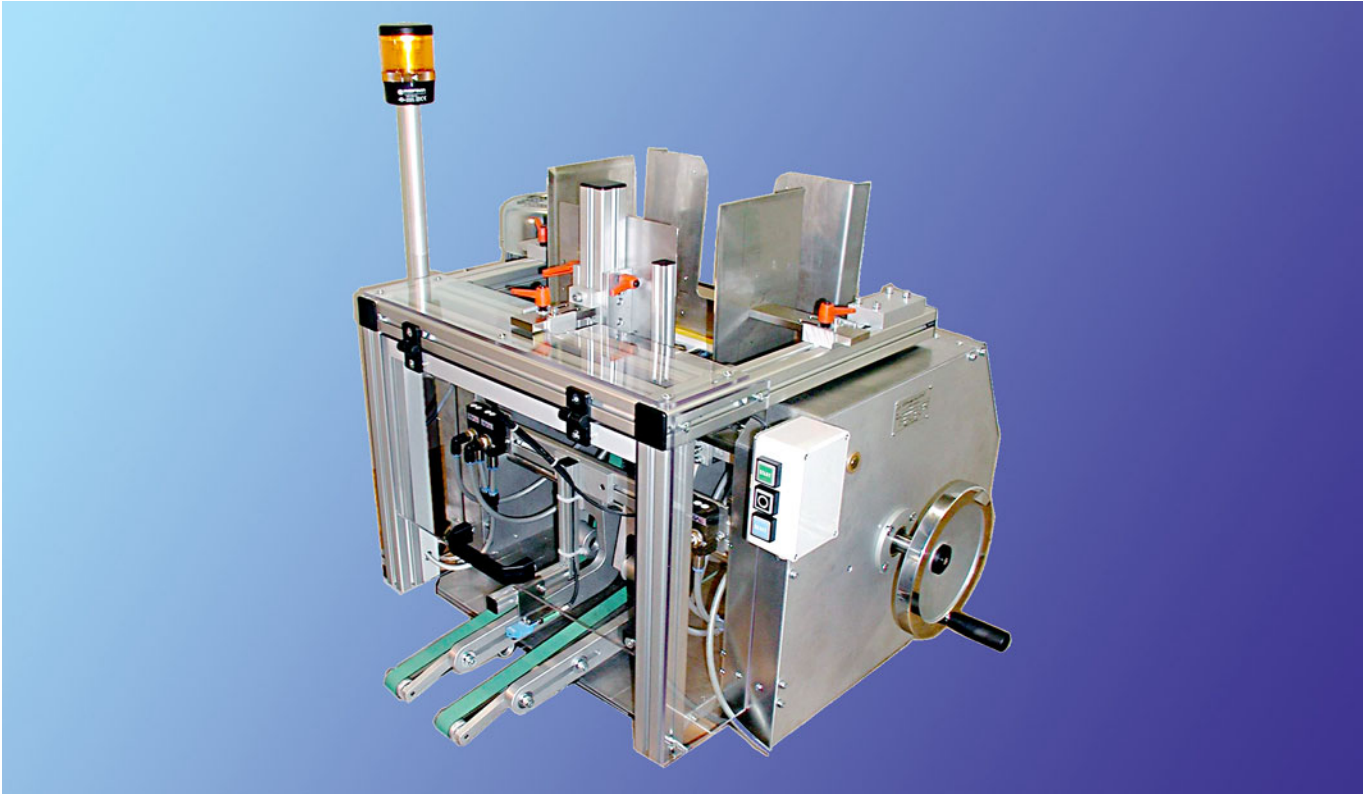


# Drum suction feeder TSA

Drum suction feeder for the feeding of booklets and brochures in film wrapping machines



## Design and characteristic features:

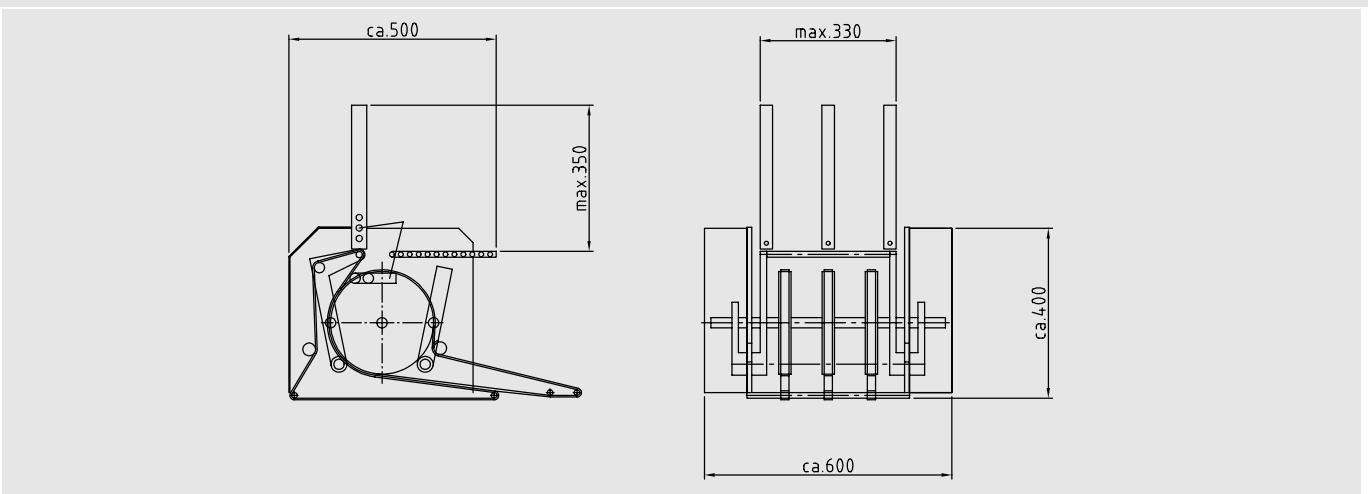
- Product format up to max. 350 x 250 mm
- Product feeding from magazine or stream feeder band
- Product separation by means of cam controlled flat belts and vacuum suction unit
- Depositioning of the products by means of an extended outfeed with flat belt
- Feeding speed max. 200 cycles per minute (depending on the product)
- Feeding process monitoring via light barrier in the extended outfeed and immediate stop in case of incorrect feeding process
- Monitoring of stack magazine level
- Monitoring of stack magazine minimum stack
- Exact guidance of the products by means of double flat belt guidance
- Infinitely adjustable feeding speed, presetting by means of the wrapping machine master control
- Drive by AC gear motor
- Direct feeding of the products to the further processing machine
- Product-friendly

## Control system:

- PLC control, connectable via the machine's docking station
- Function test as concerns filling level, minimum stack and missing sheet
- Fault message indication by means of signal lamp and PLC interface to machine control
- Electric and electronic plug-type connections (machine docking station).

Technical data:	
	<b>Drum suction feeder TSA</b>
<b>Formats (special formats possible)</b>	Min. 100 mm x 100 mm max. 350 mm x 250 mm (feeding width x feeding length)
<b>Speed / (depending on the product)</b>	Max. 200 cycles/min.
<b>Magazine loading: (depending on the product)</b>	Stack height max. 200 mm
<b>Drive:</b>	AC gear motor, infinitely controllable
<b>Control:</b>	PLC interface, control by master control
<b>Supply voltage:</b>	3 x 400 V / 50 Hz
<b>Compressed-air connection:</b>	6 bar, dry, oil-free air, connection 1/4 " to the compressed-air connection of the machine
<b>Dimensions (W x D x H) / Weight:</b>	approx. 600 x 650 x 615 mm (Basic device with extended outfeed 300 mm) / approx. 84 kg, with buffer rake 102 kg, +40 kg if equipped with stream feeder band

### Dimensions TSA (basic unit):



### Options:

<b>Buffer rake pneumatically:</b>	<ul style="list-style-type: none"> <li>The products are placed on the rake before feeding to the machine (assortment)</li> </ul>
<b>Stream feeder band</b>	<ul style="list-style-type: none"> <li>For magazine loading with more products – transport belt length from 500 mm to 2000 mm</li> </ul>
<b>Moveable base</b>	<ul style="list-style-type: none"> <li>For variable use of the feeder at the wrapping machine (only possible in case of connection to different docking stations)</li> </ul>
<b>Docking station connection</b>	<ul style="list-style-type: none"> <li>For variable use at wrapping machines (only in connection with movable base)</li> </ul>

Subject to technical modifications