



**The universal feeder for flat products (paper, cardboard, plastic, film, etc.)  
Can be integrated in paper converting, subsequent processing and wrapping machines**

**Design and characteristic features:**

- Feeding width 250 or 300 mm standard
- Product feeding single or counting
- User-friendly and easy fine product gap setting by means of electronic displays
- Two setting points for the complete product gap setting from 0 to 30 mm, exit extension included
- Counterrotating separating rollers, equal abrasion of the friction rolls
- Missing sheet detection by product length control
- Min. stack monitoring in the magazine
- Product magazine 600 mm easily accessible for loading, with integrated signal lamp
- Individual adjustable and readjustable stack support
- Swivelling exit extension 150 mm with flat belts
- Infinitely adjustable feeding speed
- Drive actuated via powerful DC motor
- Scales for easy readjustment at all setting units
- Ruggedly designed machine frame, anodised aluminium, non-corrosive steel
- Low noise level
- Specification according to EC machinery directive, CE-conformity

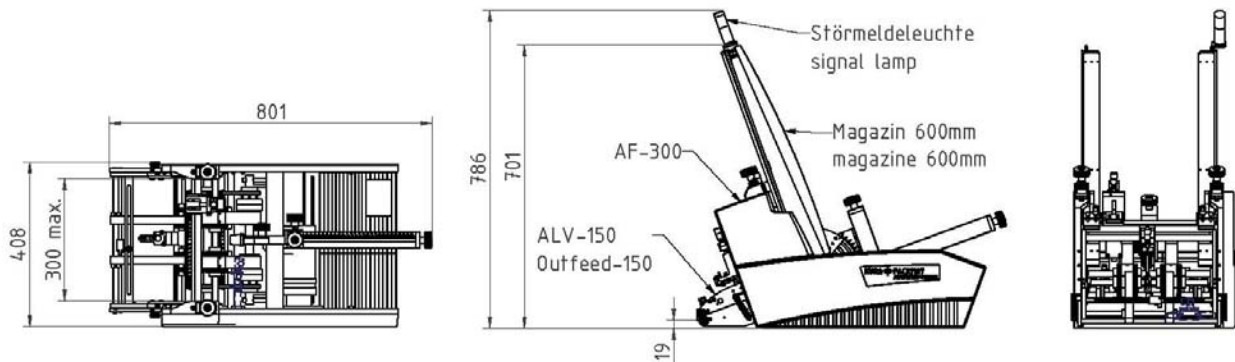
**Control:**

- 2-line LC-Display
- User guidance and status display in 9 languages (German, Engl, French, etc.)
- Microprocessor control
- Protection type IP 40
- PLC-Interface RS 232, 15 pins
- Piece counter preselection with SET / ACT comparison
- Selectable operation mode cycled or continuous
- Self-control functions
- Fault message indication by way of signal lamp and display
- Preset of the start pulse (high/low)
- Product length setting for doublesheet control
- Product stop position adjustable
- Blowing air follow-up time settable from 0 to 300 ms
- Electrical and electronic connectors of plug-in type



	AF-250	AF-300
Formats (special formats possible):	min. 25 x 60 mm (long side leading), max. 350 x 250 mm (short side leading)	min. 25 x 60 mm (long side leading), max. 350 x 300 mm (short side leading)
Feeding speed/ feeding performance (Cont. / cycled) (depending on product):	Max. 180 m/min. / up to 1400 products/min. (continuous) / up to 600 prod. / min. (cycled)	Max. 180 m/min. / up to 1400 products/min. (continuous) / up to 600 prod. / min. (cycled)
Product thickness:	Min. 0.1 mm, Max. 30 mm, paper quality min. 60 g/m <sup>2</sup> , depending on product	Min. 0.1 mm, Max. 30 mm, paper quality min. 60 g/m <sup>2</sup> , depending on product
Magazine loading: (depending on the product):	Standard 600 mm	Standard 600 mm
Drive:	DC-Motor, infinitely controllable	DC-Motor, infinitely controllable
Control:	Microprocessor control, PLC control, functions for piece counter, cont. running, self-control, error warning, etc.	Microprocessor control, PLC control, functions for piece counter, cont. running, self-control, error warning, etc.
Supply voltage / Power input:	230 V / 50 Hz, 300 VA	230 V / 50 Hz, 300 VA
Air supply: (only required for vacuum chamber and stacking rake)	6 bar, dry, non-oiled air; connection ¼ "	6 bar, dry, non-oiled air; connection ¼ "
Dimensions (W x D x H) / Weight:	801 x 358 x 701 (Exit extension 150 mm, Standard stack height) / approx. 45 kg	801 x 408 x 701 (Exit extension 150 mm, Standard stack height) / approx. 48 kg

### Dimensions standard unit, Feeding width 300 mm:



### Options:

Exit extension:	- Length 300 mm, 500 mm, Inclination up to 90°, plus customized versions - Variants with vacuum exit extension, adjustable lateral guides, blowing air jet
Feeding width:	250 up to 1200 mm, Special formats possible
Product support extension:	Up to max. 1000 mm
Double sheet control:	Electromechanic / electrically / ultrasonic solution
Vacuum suction chamber for friction belt:	With vacuum pump or multi ejector
Support rake:	With self-control, blowing air and safety switch
<b>Magazing</b>	
Magazine stack:	800 mm / 1200 mm (depending on product)
Autoloader:	500 up to 3.000 mm, Option: vertical stacking magazine
Stacking tray:	Stacking height 200 mm, with limit stop
Start sensor:	For external start pulse
Level control:	In stacking magazine / autoloader
Signal lamp:	For optical error display / status display; 1, 2, or 3 colours
Floor stand:	- Movable and vertically adjustable +/- 50 mm - Electrically adjustable, feeding height 750 - 1200 mm
Further:	Special versions on request